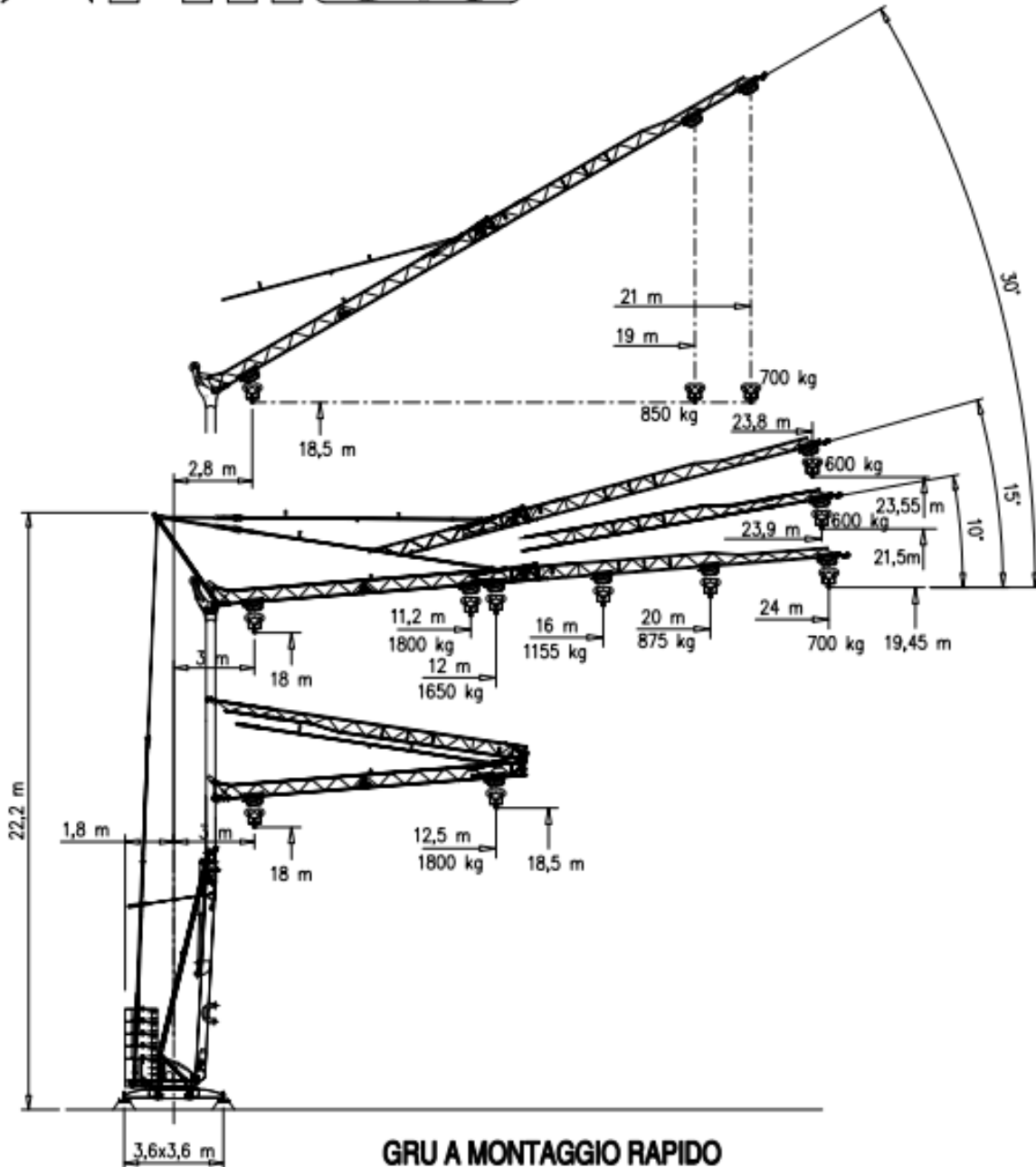


**AFM Gru**

**724 RBI-V1**



**GRU A MONTAGGIO RAPIDO**  
**GRUE A MONTAGE RAPIDE**  
**GRUA DE RAPIDO MONTAJE**  
**GRUA DE MONTAGEM RAPIDA**  
**QUICK SELFERECTING CRANE**  
**HYDRAULISCHER SCHNELLMONTAGEKRAN**

**CE** FEM 1.001-A3



# AFM Gru

# 724 RBI-V1

Curve di carico – Courbes de charges – Load diagrams – LastKurven – Curvas de cargas

	<table border="1"> <tr><td>3</td><td>19</td><td>21</td><td>m</td></tr> <tr><td>1800</td><td>850</td><td>700</td><td>kg</td></tr> </table>	3	19	21	m	1800	850	700	kg	Spostamento bozzello in orizzontale Block moving horizontally Bloquer le déplacement horizontal Blockieren horizontal bewegt Bloquear el movimiento horizontal Bloquear moviendo horizontalmente						
3	19	21	m													
1800	850	700	kg													
	<table border="1"> <tr><td>3</td><td>22</td><td>23,8</td><td>m</td></tr> <tr><td>600</td><td>600</td><td>600</td><td>kg</td></tr> </table>	3	22	23,8	m	600	600	600	kg	Portata costante = 600 Kg Constant load = 600 Kg Charge constante = 600 Kg konstanter Belastung = 600 Kg Carga constante = 600 Kg Carga constante = 600 Kg						
3	22	23,8	m													
600	600	600	kg													
	<table border="1"> <tr><td>3</td><td>22</td><td>23,9</td><td>m</td></tr> <tr><td>600</td><td>600</td><td>600</td><td>kg</td></tr> </table>	3	22	23,9	m	600	600	600	kg	Portata costante = 600 Kg Constant load = 600 Kg Charge constante = 600 Kg konstanter Belastung = 600 Kg Carga constante = 600 Kg Carga constante = 600 Kg						
3	22	23,9	m													
600	600	600	kg													
	<table border="1"> <tr><td>3</td><td>11,2</td><td>12</td><td>16</td><td>20</td><td>24</td><td>m</td></tr> <tr><td>1800</td><td>1800</td><td>1650</td><td>1155</td><td>875</td><td>700</td><td>kg</td></tr> </table>	3	11,2	12	16	20	24	m	1800	1800	1650	1155	875	700	kg	
3	11,2	12	16	20	24	m										
1800	1800	1650	1155	875	700	kg										
	<table border="1"> <tr><td>3</td><td>12,5</td><td>m</td></tr> <tr><td>1800</td><td>1800</td><td>kg</td></tr> </table>	3	12,5	m	1800	1800	kg	Portata costante = 1800 Kg Constant load = 1800 Kg Charge constante = 1800 Kg konstanter Belastung = 1800 Kg Carga constante = 1800 Kg Carga constante = 1800 Kg								
3	12,5	m														
1800	1800	kg														

Reazioni – Reactions – Réactions – Eckdrücke – Reacciones – Reações



R1 ● 12 t ■ 10 t  
 ▲ 7,1 t ◆ 11,9 t { N°2 A=3500Kg (1750Kgx2)  
 N°8 B=8400Kg (1050Kgx8)

- |                               |                                      |                                      |
|-------------------------------|--------------------------------------|--------------------------------------|
| ● Reazioni in servizio        | ● Reactions in service               | ● Réactions en service               |
| ■ Reazioni fuori servizio     | ■ Reactions out of service           | ■ Réactions hors service             |
| ▲ Peso della gru senza assali | ▲ Dead weight without transport axes | ▲ Poids de construction sans essieux |
| ◆ Peso zavorra rotante        | ◆ Ballast weight                     | ◆ Poids du lest                      |
- 
- |  |  |   |
|--|--|---|
| ● Reaktionskräfte in betrieb               | ● Reacciones en servicio                 | ● Em serviço                              |
| ■ Reaktionskräfte außer betrieb            | ■ Reacciones fuera de servicio           | ■ Fora de serviço                         |
| ▲ Konstruktionsgewicht ohne transportachse | ▲ Peso de la grua sin tren de transporte | ▲ Peso de la grua sem carro de transporte |
| ◆ Ballastgewicht                           | ◆ Peso de lastre                         | ◆ Peso de lastre rotativo                 |