

AFM Gru

930 RBI

Dimensions and Load Capacities:

- Overall height: 23,7 m
- Base width: 4x4 m
- Configuration 1: 27,7 m reach, 600 kg load, 30 m height.
- Configuration 2: 29,3 m reach, 700 kg load, 26 m height.
- Configuration 3: 13,53 m reach, 2400 kg / 2200 kg load, 19,2 m height.
- Configuration 4: 14 m reach, 2300 kg / 2100 kg load, 19,2 m height.
- Configuration 5: 18 m reach, 1690 kg load, 19,2 m height.
- Configuration 6: 22 m reach, 1320 kg load, 19,2 m height.
- Configuration 7: 26 m reach, 1070 kg load, 19,2 m height.
- Configuration 8: 30 m reach, 900 kg load, 19,2 m height.
- Configuration 9: 26 m reach, 1100 kg load, 21,1 m height.
- Configuration 10: 13,3 m reach, 2400 kg / 2200 kg load, 19,6 m height.

Legend:

- TRIPHASE ☒ 400 V
- MONOTRIPHASE ☒ 230/400 V









GRU A MONTAGGIO RAPIDO
GRUE A MONTAGE RAPIDE
GRUA DE RAPIDO MONTAJE
GRUA DE MONTAGEM RAPIDA
QUICK SELFRECTING CRANE
HYDRAULISCHER SCHNELLMONTAGEKRAN







CE FEM 1.001-A3

AFM Gru

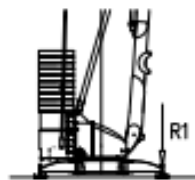
930 RBI

Curve di carico – Courbes de charges – Load diagrams – Lastkurven – Curvas de cargas

 25° Triphase	☐ 400V	3 600	23 600	26 600	27,7 600	m kg
 25° MonoTriphase	☐ 230/400V	3 600	23 600	26 600	27,7 600	m kg
 15° Triphase	☐ 400V	3 700	23 700	26 700	29,3 700	m kg
 15° MonoTriphase	☐ 230/400V	3 700	23 700	26 700	29,3 700	m kg
 20° Triphase	☐ 400V	3 600	23 600	26 600	28,4 600	m kg
 20° MonoTriphase	☐ 230/400V	3 600	23 600	26 600	28,4 600	m kg
 10° Triphase	☐ 400V	3 700	23 700	26 700	29,7 700	m kg
 10° MonoTriphase	☐ 230/400V	3 700	23 700	26 700	29,7 700	m kg

 Triphase	☐ 400V	3 2400	13,53 2400	14 2300	18 1690	22 1320	26 1070	30 900	m kg		
 MonoTriphase	☐ 230/400V	3 2200	13,53 2200	14 2100	18 1690	22 1320	26 1070	30 900	m kg		
 Triphase	☐ 400V	3 2400	13,7 2400	14 2350	16 2000	18 1720	20 1510	22 1350	24 1210	26 1100	m kg
 MonoTriphase	☐ 230/400V	3 2200	13,7 2200	14 2150	16 2000	18 1720	20 1510	22 1350	24 1210	26 1100	m kg
 Triphase	☐ 400V	3 2400	13,3 2400	m kg	 MonoTriphase		☐ 230/400V	3 2200	13,3 2200	m kg	

Reazioni – Reactions – Réactions – Eckdrücke – Reacciones – Reações



R1 ● 19 t ■ 13 t

▲ 10 t ◆ 20,6 t

{ N°2 A=3500Kg (1750Kgx2)
 N°2 B=2100Kg (1050Kgx2)
 N°12 C=15000Kg (1250Kgx12)

- | | | |
|-------------------------------|---------------------------------------|--------------------------------------|
| ● Reazioni in servizio | ● Reactions in service | ● Réactions en service |
| ■ Reazioni fuori servizio | ■ Reactions out of service | ■ Réactions hors service |
| ▲ Peso della gru senza assoli | ▲ Dead weight without transport axles | ▲ Poids de construction sans essieux |
| ◆ Peso zavorra rotante | ◆ Ballast weight | ◆ Poids du lest |

- | | | |
|--|--|---|
| ● Reaktionskräfte in betrieb | ● Reacciones en servicio | ● Em serviço |
| ■ Reaktionskräfte außer betrieb | ■ Reacciones fuera de servicio | ■ Fora de serviço |
| ▲ Konstruktionsgewicht ohne transportachse | ▲ Peso de la grua sin tren de transporte | ▲ Peso de la grua sem carro de transporte |
| ◆ Ballastgewicht | ◆ Peso de lastre | ◆ Peso de lastre rotativo |